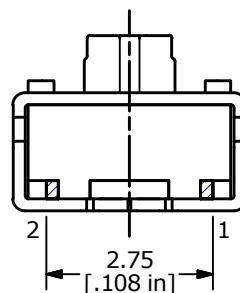
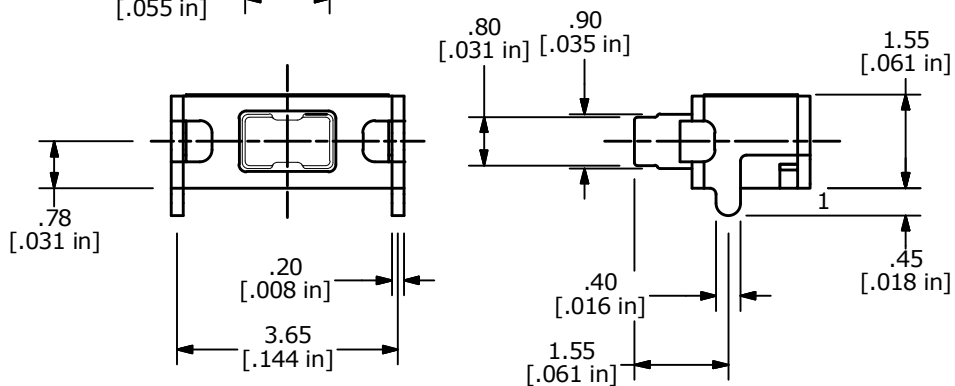
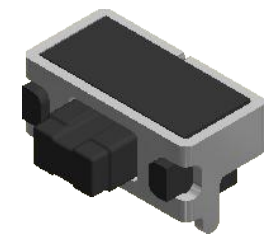
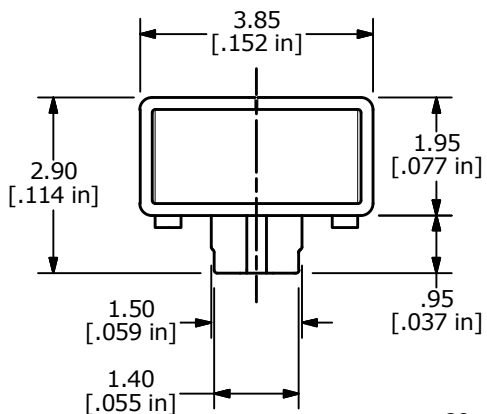


▲ CIRCUIT: SPST

NOTES:

1. ALL DIMENSIONS IN MM [INCH]
2. GENERAL TOLERANCE: X.X = ±0.4  
X.XX = ±0.25
3. CONTACT RATING: 20mA @ 12VDC
4. CONTACT RESISTANCE: 100mΩ MAX.
5. INSULATION RESISTANCE: 100MΩ MIN @ 100VDC.
6. OPERATING FORCE: 160 ± 50gf
- ▲ 7. TRAVEL: 0.2 ± 0.1mm
8. OPERATING TEMPERATURE: -40°C to +85°C
9. STORAGE TEMPERATURE: -40°C to +85°C
10. OPERATING LIFE: 200,000 CYCLES
11. ▲ DENOTES CRITICAL PARAMETERS
12. PARTS TO BE PACKAGED IN TAPE & REEL, 3000 PIECES PER REEL



TITLE TL6340AF160Q				
SCALE 8:1	DATE 10/24/2019	DR MJR	DWG N634000	REV A

A	24077	NEW RELEASE	10/24/19	MJR
REV	PCR NO	DESCRIPTION	DATE	BY

THE INFORMATION CONTAINED IN THIS DOCUMENT IS PROPRIETARY TO E-SWITCH AND IS NOT TO BE COPIED OR TRANSFERRED